

1X4 LED TROFFER CSPT/CSM Series

CIRCADIAN AUTONOMOUS LIGHT FIXTURE

- Product optimized using human subject testing in 24/7 simulation of 12 hour day and night shifts in our medical research facility.
- Provide quality white light 24/7 with the precise wavelength spectrum day and night to optimize health and performance.
- Intelligent control boards pre-programmed for the life of the fixture providing the correct blue light regulation for the location, season and leap years for optimized circadian effectiveness.
- At night, removes over 90% of the harmful blue light emitted by conventional LEDs which has been shown to increase the risk of diabetes, obesity, cancer, and depression.
- Light spectrum optimized to increase energy, productivity, mood, reduce fatigue and errors.
- Lumen output maintained over each 24 hour period and meeting specific industry work space illumination standards.
- Continuous white light with a smooth, imperceptible transition from Day to Night mode.
- Maximizes employee health, productivity and safety.

The 24-Hour Spectrum of Health

CIRCADIAN LIGHT BENEFITS

- Manages exposure to blue content of white light
 - Increased alertness
 - Mood improvement
 - Avoids blue exposure at night
 - Boosts productivity

SHALLOW PLENUM (CSPT Series)



SURFACE MOUNT (CSM Series)

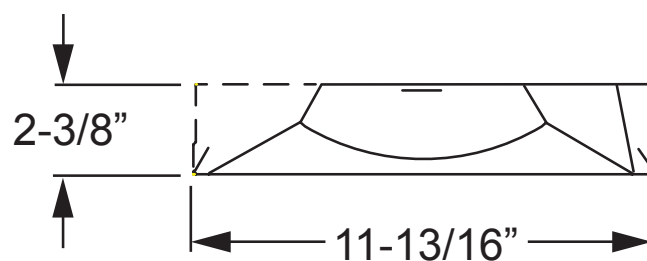


FIXTURE PERFORMANCE DATA*

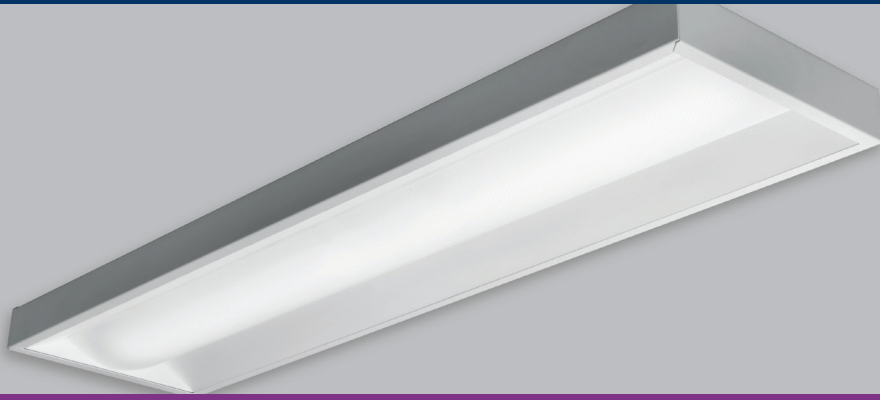
| Nominal Lumen Output | Nominal Wattage | Average Luminaire Efficacy (lm/W) | CCT (k) | CRI | MAX WATTAGE |
|----------------------|-----------------|-----------------------------------|-----------|-----|-------------|
| 1' X 4' UNIT | | | | | |
| 3000-4000 | 32 | up to 95 | 3000-4200 | 80 | up to 80 |

* based upon 24 hour duty cycle - 12 hour night, 12 hour day

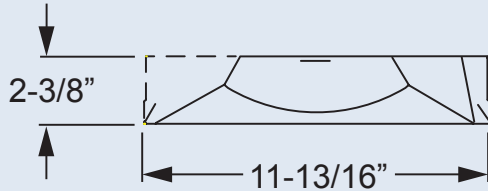
SHALLOW PLENUM TROFFER (CSPT Series) CROSS SECTION



1x4 LED TROFFER CSPT/CSM Series



CROSS SECTION



EXAMPLE

CSPT - 1 4 - L3000 / 834 - RA - OPTIONS - DIM - UNV - XX

▼ ▼ ▼ ▼ ▼ ▼ ▼ ▼ ▼
 SERIES NOM W. NOM L 3000 CRI & CCT SHIELDING OPTIONS DRIVER VOLTAGE ZONES

ORDERING INFORMATION

CIRCADIAN SERIES

CSPT Circadian Shallow Plenum Troffer
CSM Circadian Surface Mount

NOMINAL WIDTH

1 1' (4' length only)

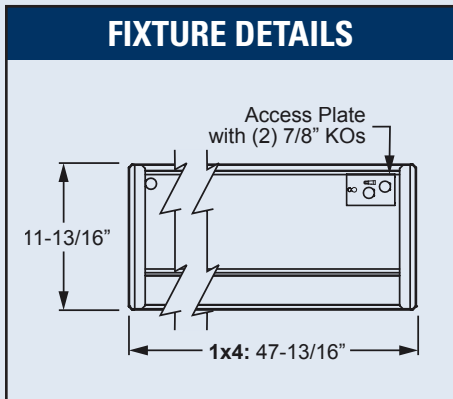
NOMINAL LENGTH

4 4

VOLTAGE

UNV 120V-277V
347 347V (not available with EM option)

FIXTURE DETAILS



DIFFUSER

RA Diffuse ribbed acrylic

OPTIONS

EQ CLIPS Earthquake clips (4 per fixture)

For flexible whip options, see technical info.

EM/10WLP Low-profile 10-watt emergency driver (120-277V only)

CP Chicago Plenum (CCEA)

CONTROL OPTIONS

0-10V Dimming controls are standard.

DIM Controls pre-wired for 0-10V low voltage dimming applications

ZONES

- 01 – MA, ME, MI, NH, NY, ON, QC, RI, VT
- 02 – CT, DC, DE, IN, MD, NJ, NY, OH, PA, VA, WV
- 03 – FL, GA, NC, SC
- 04 – MB, MN, ND, SD, SK, WI
- 05 – IA, IL, KS, KY, MO, NE
- 06 – AL, AR, LA, MS, OK, TN, TX
- 07 – AB, ID, MT, WY
- 08 – CO, UT
- 09 – AZ, NM
- 10 – BC, OR, WA
- 11 – NV
- 12 – CA

SPECIFICATIONS

- Limited 5-Year Warranty
- 3000K – 4200K CCT
- CRI 80
- Nominal lumens 3000 - 4000
- Matte white paint and frosted lens provide pleasing architectural aesthetics with non-glare reflective surfaces
- Access to the electrical from room-side of fixture
- Heavy duty C.R.S. construction
- Mounted in NEMA Type G enclosure with surface mount accessory
- Housing /Reflector – precision die-formed 22 gauge C.R.S.
- Shallow housing depth for plenum space
- All parts painted after fabrication to facilitate installation, increase efficiency and inhibit corrosion
- Rated for indoor locations, FCC and RoHS compliant
- Non-IC Rated
- Easy Installation

Enhanced Visual

- Uniform ambient illumination
- Ribbed lens for enhanced visual comfort

*** The fixture should not be installed in an environment that requires transient protection that exceeds NEMA SSL-2010, Non-Roadway 2.5KV.**